

PLEASE CHECK WWW.MOLEX.COM FOR LATEST PART INFORMATION

Part Number: [0890746821](#)
Status: **Active**
Description: 1.27mm Pitch PC Card Receptacle - Straddle Mount, Offset Tail Versions
Replacement Part Number: None

Documents:

[3D Model](#) [RoHS Certificate of Compliance \(PDF\)](#)
[Drawing \(PDF\)](#)

General

Product Family	Memory Card Sockets
Series	89074
Button Type	N/A
Comments	Offset Style 2
Component Type	Receptacle (Card)
Obsolete Date	2004/08/01
Product Name	PC Card
Replacement Part Number	None
Type	I, II

Physical

Card Detection Switch	N/A
Circuits (Loaded)	68
Durability (mating cycles max)	10,000
Ejector Button Side	No Ejector Button Present
Entry Angle	Straddle
Keying to Mating Part	None
PCB Mounting Side	N/A
PCB Retention	None
PCB Thickness Recommended (in)	0.016 In, 0.020 In
PCB Thickness Recommended (mm)	0.40 mm, 0.50 mm
Packaging Type	Tube
Pitch - Mating Interface (in)	0.050 In
Pitch - Mating Interface (mm)	1.27 mm
Ports	1
Temperature Range - Operating	-20°C to +85°C

Electrical

Current - Maximum per Contact	0.5A
Voltage - Maximum	100V AC
Voltage Key	3.3V, 5.0V

Material Info

EU RoHS **China RoHS**

Compliance Status

Not Reviewed

REACH SVHC

Not Reviewed

Halogen-Free

Status

Not Reviewed

Need more information on product environmental compliance?

Email productcompliance@molex.com
 For a multiple part number RoHS Certificate of Compliance, [click here](#)

Please visit the [Contact Us](#) section for any non-product compliance questions.

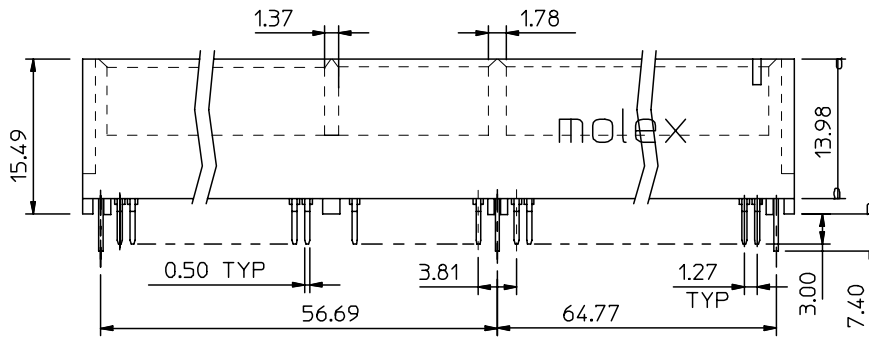
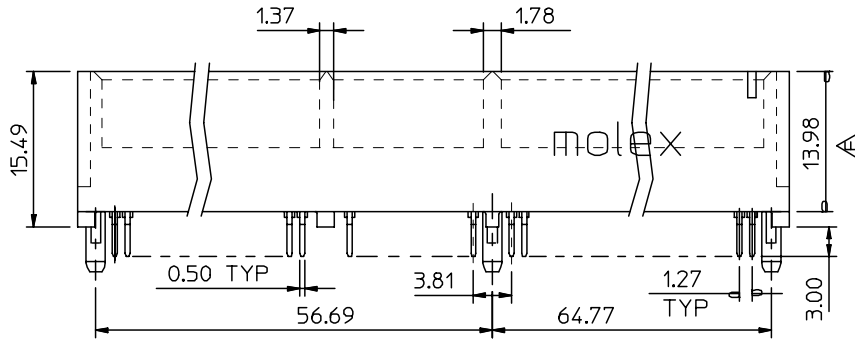
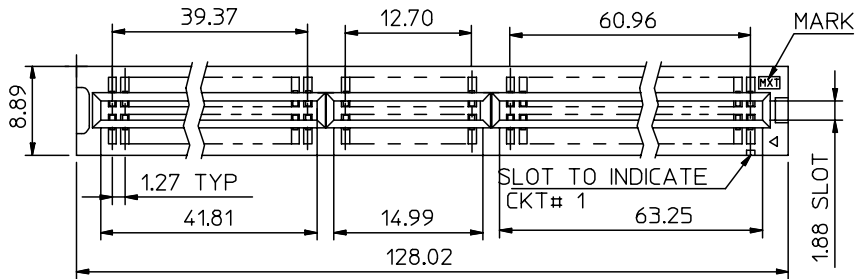
Search Parts in this Series

[89074Series](#)

Mates With

PC Card Headers

10 9 8 7 6 5 4 3 2 1



NOTES:

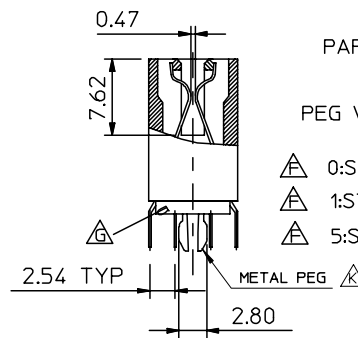
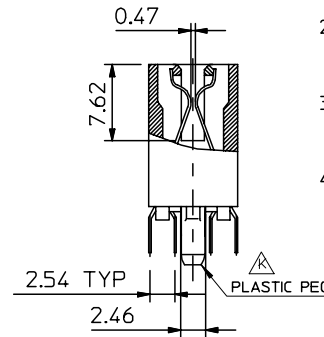
1. MATERIAL:

HOUSING : PPS
 TERMINAL: PHOSPHOR BRONZE



2.FINISH

- 0 - GOLD FLASH IN CONTACT AREA, 1.52um/60uin MIN. TIN/LEAD IN SOLDER TAIL, BOTH OVER 0.76um/30uin MIN. NICKEL OVERALL.
- 1 - 0.25um/10uin MIN. GOLD IN CONTACT AREA, 1.52um/60uin MIN. TIN/LEAD IN SOLDER TAIL, BOTH OVER 0.76um/30uin MIN. NICKEL OVERALL.
- 2 - 0.38um/15uin MIN. GOLD IN CONTACT AREA, 1.52um/60uin MIN. TIN/LEAD IN SOLDER TAIL, BOTH OVER 0.76um/30uin MIN. NICKEL OVERALL.
- 3 - 0.76um/30uin MIN. GOLD IN CONTACT AREA, 1.52um/60uin MIN. TIN/LEAD IN SOLDER TAIL, BOTH OVER 0.76um/30uin MIN. NICKEL OVERALL.
- 4 - 0.50um/20uin MIN. GOLD IN CONTACT AREA, 1.52um/60uin MIN. TIN/LEAD IN SOLDER TAIL, BOTH OVER 0.76um/30uin MIN. NICKEL OVERALL.



PART NO. LEGEND : 89177 - 92**

PEG VERSION, COLOR _____ PLATING VERSION (REFER TO NOTES 2)

- 0:STANDARD , BROWN , 5V, PLASTIC PEG
- 1:STANDARD , WHITE , 5V, PLASTIC PEG
- 5:STANDARD , WHITE , 5V, METAL PEG

PER EWR 2006-0035	QUALITY SYMBOLS
EC NO: SH2006-0520	▽=0
DRWN:ALLIN 2006/06/26	▽=0
CHKD: 2006/06/27	
APPR:WMSCHANG 2006/06/30	
REV	DESCRIPTION

GENERAL TOLERANCES (UNLESS SPECIFIED)	
mm	INCH
4 PLACES ± ---	± ---
3 PLACES ± ---	± ---
2 PLACES ± 0.25	± ---
1 PLACE ± 0.25	± ---
ANGULAR ± 3 °	
DRAFT WHERE APPLICABLE MUST REMAIN WITHIN DIMENSIONS	

DIMENSION STYLE MM ONLY	
DRAWN BY	DATE
SANORD	96/06/06
CHECKED BY	DATE
SAM HUAN	96/06/06
APPROVED BY	DATE
MEGA	96/06/06
MATERIAL NO.	
SEE TABLE	
SIZE	
A3	

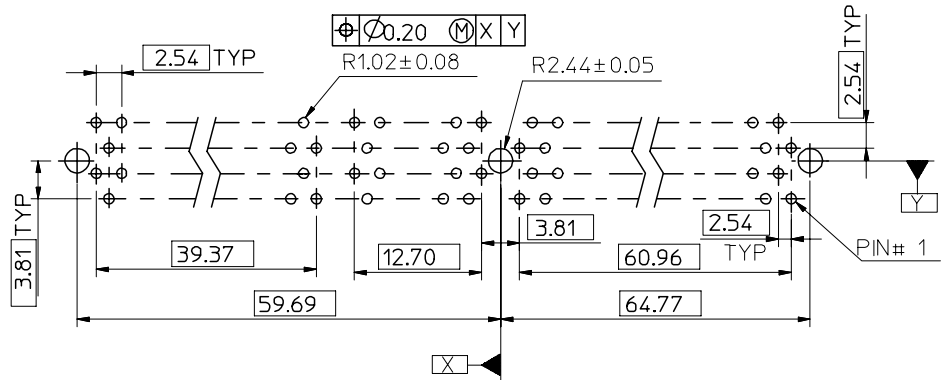
SCALE 2:1	DESIGN UNITS METRIC	THIRD ANGLE PROJECTION
TITLE		
ASS'Y 1.27MM EDGE CARD CONNECTOR 184 CKT (3.3V & 5 V)		
MOLEX INCORPORATED		
MATERIAL NO.	DOCUMENT NO.	SHEET NO.
	SD-89177-92**	1 OF 4

9 8 7 6 5 4 3 2 1

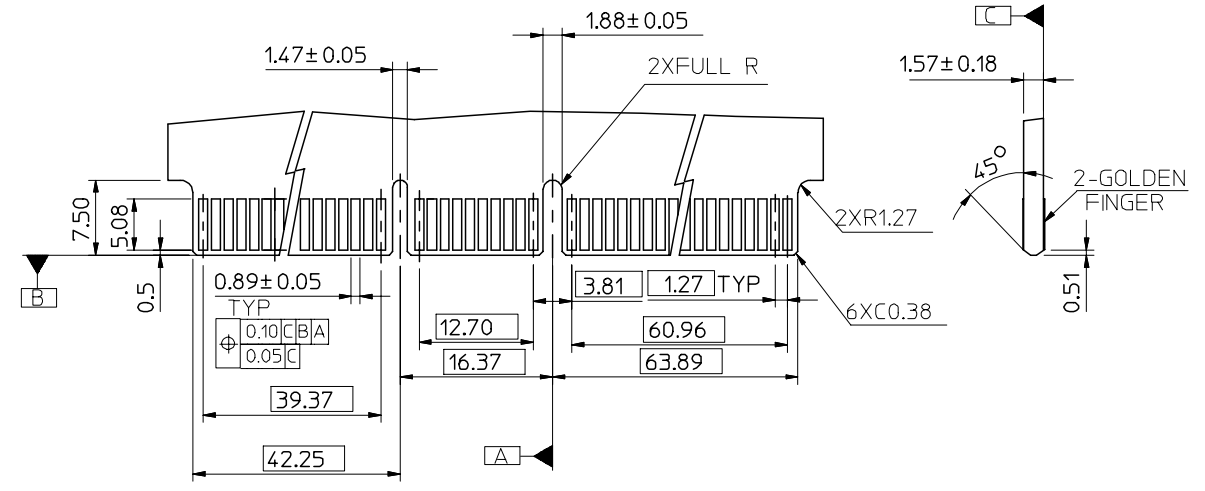
10 9 8 7 6 5 4 3 2 1

F
E
D
C
B
A

F
E
D
C
B
A



RECOMMENDED P.C BOARD PATTERN



RECOMMENDED MATING P.C. BOARD EDGE CONFIGURATION

SEE SHEET 1 EC NO: SH2006-0520 DRWN: ALLIN CHKD: APPR: WMSCHANG	2006/06/26 2006/06/27 2006/06/30	DESCRIPTION REV	QUALITY SYMBOLS	GENERAL TOLERANCES (UNLESS SPECIFIED)	DIMENSION STYLE	SCALE	DESIGN UNITS	THIRD ANGLE PROJECTION
			$\nabla = 0$ $\triangle = 0$	mm INCH	MM ONLY	2:1	METRIC	
			4 PLACES ± --- ± --- 3 PLACES ± --- ± --- 2 PLACES ± 0.25 ± --- 1 PLACE ± 0.25 ± --- ANGULAR ± 3 °	DRAWN BY: SANORD DATE: 96/06/06 CHECKED BY: DATE: APPROVED BY: SAM HUAN DATE: 96/06/06 MEGA DATE: 96/06/06	TITLE			
			DRAFT WHERE APPLICABLE MUST REMAIN WITHIN DIMENSIONS	SEE TABLE	ASS'Y 1.27MM EDGE CARD CONNECTOR 184 CKT (3.3V & 5 V)	MOLEX INCORPORATED	SHEET NO. 2 OF 4	

9 8 7 6 5 4 3 2 1

SLOT TO INDICATE
CKT# 1

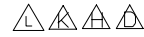
MARK

NOTES:

1. MATERIAL:

HOUSING : PPS

TERMINAL: PHOSPHOR BRONZE



2.FINISH 0 - GOLD FLASH IN CONTACT AREA, 1.52um/60uin
MIN. TIN/LEAD IN SOLDER TAIL, BOTH OVER 0.76um/
30uin MIN. NICKEL OVERALL.

1 - 0.25um/10uin MIN. GOLD IN CONTACT AREA,
1.52um/60uin MIN. TIN/LEAD IN SOLDER TAIL, BOTH OVER
0.76um/30uin MIN. NICKEL OVERALL.

2 - 0.38um/15uin MIN. GOLD IN CONTACT AREA,
1.52um/60uin MIN. TIN/LEAD IN SOLDER TAIL, BOTH OVER
0.76um/30uin MIN. NICKEL OVERALL.

3 - 0.76um/30uin MIN. GOLD IN CONTACT AREA,
1.52um/60uin MIN. TIN/LEAD IN SOLDER TAIL, BOTH OVER
0.76um/30uin MIN. NICKEL OVERALL.

4 - 0.50um/20uin MIN. GOLD IN CONTACT AREA,
1.52um/60uin MIN. TIN/LEAD IN SOLDER TAIL, BOTH OVER
0.76um/30uin MIN. NICKEL OVERALL.

PART NO. LEGEND : 89177 - 92**

PEG VERSION, COLOR _____ PLATING VERSION
(SEE NOTES2)

△2 : STANDARD , BROWN , 3.3V, PLASTIC PEG

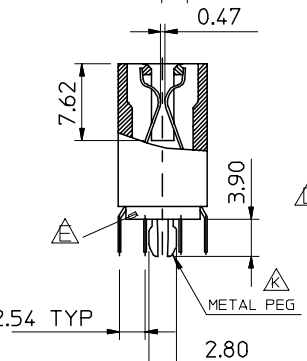
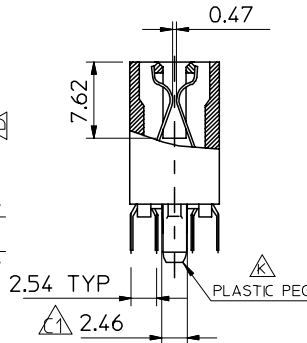
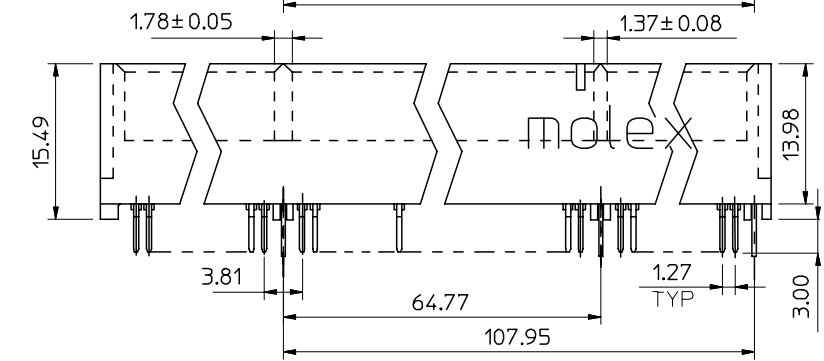
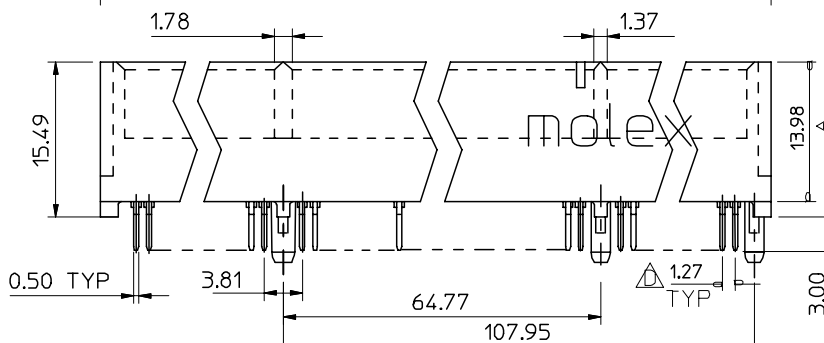
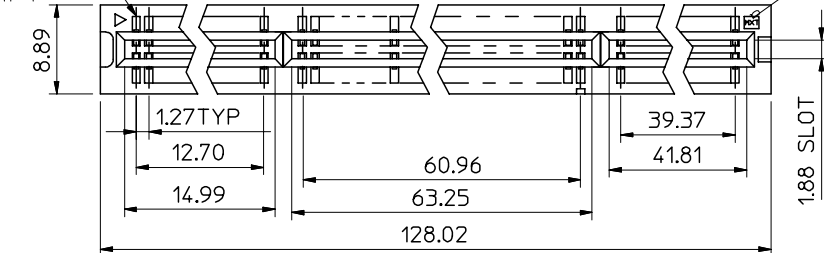
△3 : STANDARD , WHITE , 3.3V, PLASTIC PEG

△4 : STANDARD , RED , 3.3V, PLASTIC PEG

△6 : STANDARD , WHITE , 3.3V, METAL PEG

△7 : STANDARD , GREEN , 3.3V, PLASTIC PEG
(PANTON COLOR 365C)

△8 : STANDARD , BLACK , 3.3V, PLASTIC PEG



SEE SHEET 1	QUALITY SYMBOLS
EC NO: SH2006-0520	▽=0
DRWN:ALLIN 2006/06/26	▽=0
CHKD: 2006/06/27	
APPR:WISCHANG 2006/06/30	
REV	DESCRIPTION

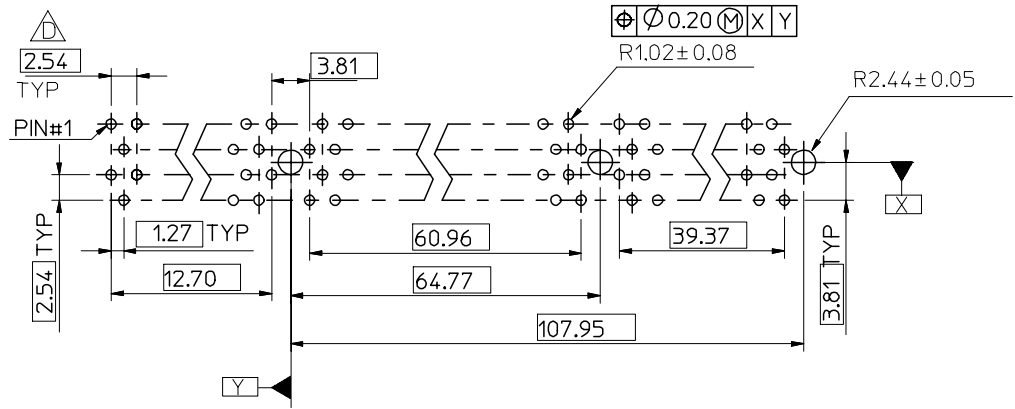
GENERAL TOLERANCES (UNLESS SPECIFIED)	
mm	INCH
4 PLACES ± ---	± ---
3 PLACES ± ---	± ---
2 PLACES ± 0.25	± ---
1 PLACE ± 0.25	± ---
ANGULAR ± 3 °	
DRAFT WHERE APPLICABLE MUST REMAIN WITHIN DIMENSIONS	

DIMENSION STYLE	
MM ONLY	
DRAWN BY	DATE
SANORD	96/06/06
CHECKED BY	DATE
SAM HUAN	96/06/06
APPROVED BY	DATE
MEGA	96/06/06
MATERIAL NO.	DOCUMENT NO.
SEE TABLE	SD-89177-92**

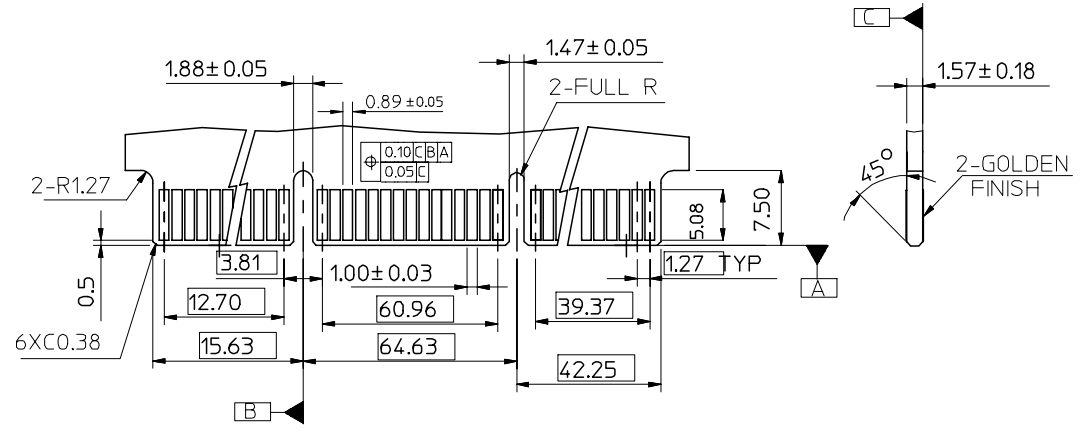
SCALE	DESIGN UNITS	THIRD ANGLE PROJECTION
2:1	METRIC	
TITLE		
ASS'Y 1.27MM EDGE CARD CONNECTOR 184 CKT (3.3V & 5 V)		
MOLEX INCORPORATED		
SIZE	SHEET NO.	
A3	3 OF 4	

10 9 8 7 6 5 4 3 2 1

F
E
D
C
B
A



RECOMMENDED P.C. BOARD PATTERN



RECOMMENDED MATING P.C. BOARD EDGE CONFIGURATION

SEE SHEET 1 EC NO: SH2006-0520 DRWN: ALLIN 2006/06/26 CHKD: 2006/06/27 APPR: WMSCHANG 2006/06/30	DESCRIPTION REV	QUALITY SYMBOLS	GENERAL TOLERANCES (UNLESS SPECIFIED)	DIMENSION STYLE	SCALE	DESIGN UNITS	THIRD ANGLE PROJECTION	
		$\nabla = 0$ $\nabla C = 0$	mm INCH 4 PLACES ± --- ± --- 3 PLACES ± --- ± --- 2 PLACES ± 0.25 ± --- 1 PLACE ± 0.25 ± --- ANGULAR ± 3 °	MM ONLY	2:1	METRIC		
				DRAWN BY: SANORD DATE: 96/06/06 CHECKED BY: DATE: APPROVED BY: SAM HUAN DATE: 96/06/06 MEGA DATE: 96/06/06	TITLE	ASS'Y 1.27MM EDGE CARD CONNECTOR 184 CKT (3.3V & 5 V)		
				MATERIAL NO. DOCUMENT NO. SHEET NO. SEE TABLE SD-89177-92** 4 OF 4	MOLEX INCORPORATED			

9 8 7 6 5 4 3 2 1

F
E
D
C
B
A

THIS DRAWING CONTAINS INFORMATION THAT IS PROPRIETARY TO MOLEX INCORPORATED AND SHOULD NOT BE USED WITHOUT WRITTEN PERMISSION